

STATIC SOLO ANCHOR

User Manual



EN Instructions for fitting and use

Thank you for choosing

Static Solo anchor from BraunAbility!

The following manual is an important part of the product, providing you with information on how to achieve maximum performance and safe operation. Keep the manual in a safe place so that you can refer to it when necessary.

If you have any questions about your equipment, please contact us.

Once again, thank you for placing your confidence in our products!



Safe vehicle adaptation solutions
*For your safety BraunAbility products are
designed and tested according to current
directives and standards.*

Safety information

- 4 General guidance
- 6 Installation planning

Fit and use

- 8 Fitting the static floor anchorage

After care

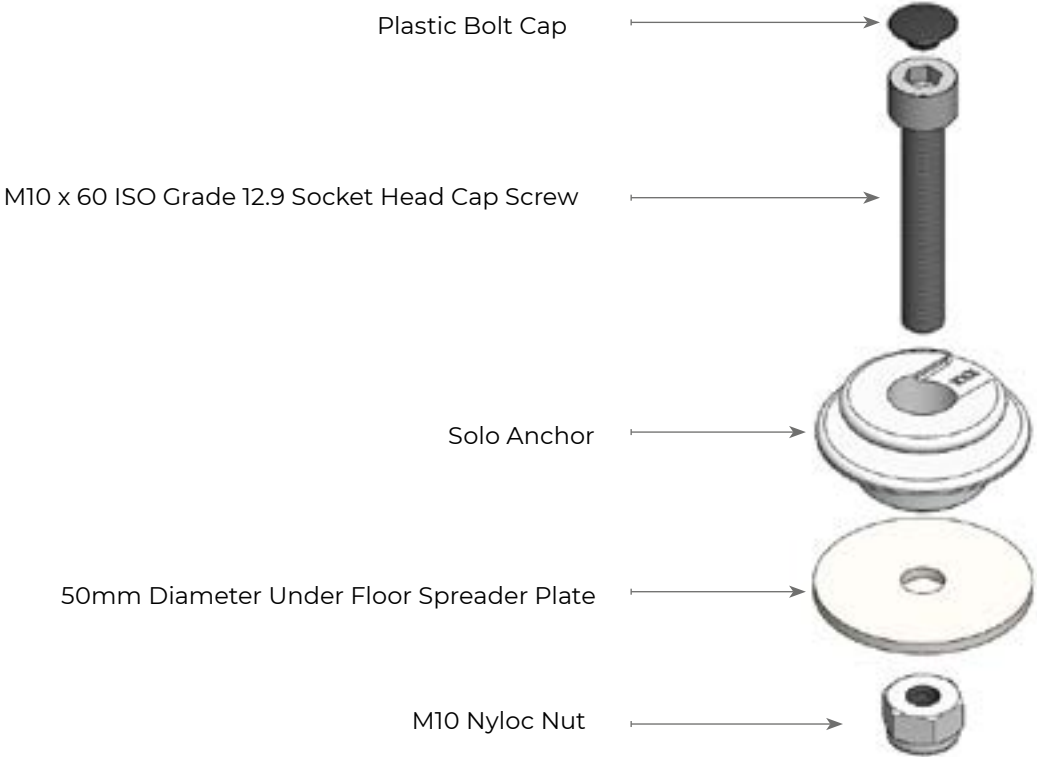
- 10 Equipment storage and maintenance
- 10 Warranty

“Declaration of conformity” at the end of the manual.

Safety information

General Guidance

- It is recommended that Solo floor anchors are installed only by an experienced technician/vehicle converter.
- Do not make any alterations to the Solo floor anchors.
- Do not install the floor anchors to unsound metal, wood, or plastic structures without additional and suitable reinforcement.
- These floor anchors meet the requirements of ISO 10542 & SAE J2249. Testing was conducted to the same configuration to that recommended by this guide, any deviation from the recommendation is the responsibility of the installer.
- The installer is responsible for ensuring that the fitting meets all applicable regulations. If in doubt about the method of installation or use please contact BraunAbility.
- Ensure that the wheelchair is correctly maintained and that the settings of any adjustable parts are made according to 'Instructions for Use in Transport'.
- Whenever possible remove any items of luggage etc that may be attached to the wheelchair and secure or store separately during transport in order to reduce the potential for injury to other passengers travelling in the vehicle.
- Extra care must be exercised when using vehicle boarding aids such as passenger lifts or ramps during the loading process. Refer to 'Instructions For Use' for information on safe slopes.



Safety Information

Installation planning

- Position the wheelchair facing forward - centrally in the designated region of the vehicle.
- To minimise the potential for head injuries in an impact, allow a clear space of at least 400mm behind and 650mm, (FCZ, front clear zone), in front of the head of the wheelchair user (Fig 1). The shoulder belt anchorage must be roof or side-wall anchored at a height level such that the belt webbing passes over the midpoint of the occupant shoulder and at a height that is at or just above the level of the occupants shoulders so as not to impose downward loads on the spine.
- A height provision (HHT) ranging from 1000mm to 1550mm should be made, depending on the size of the passenger. There should also be 200mm of clear space either side of the wheelchair centre line. If these clear space dimensions cannot be provided then any structure protruding into this space should be adequately padded and comply with impact performance requirements of ECE Regulation 21 'FMVSS 201'. All vehicle padding should comply with the flammability requirements of ECE Regulation 118 'FMVSS 302'. Guidance positions are shown in Fig 2.
- Once happy with the planned wheelchair position, lay the floor anchors in their desired locations and check carefully immediately below the floor, that they and/or the hole cutter will not foul brake lines, fuel tanks, chassis members etc. If in doubt modify the wheelchair anchorage positions accordingly.
- **Note:** The fixing screw supplied with each anchor is an M10 x 60mm long, ISO grade 12.9, zinc plated socket head cap screw. Where a different length is required care must be taken to source a cap screw of an equal grade.

Note: seated head height (HHT) ranges from as low as 1000mm for a 6-year-old child to 1550mm for a tall adult.

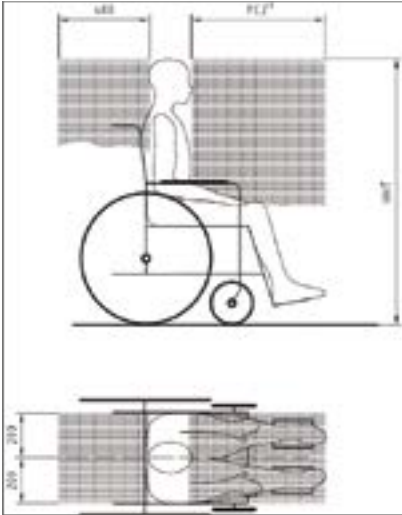


Figure 1

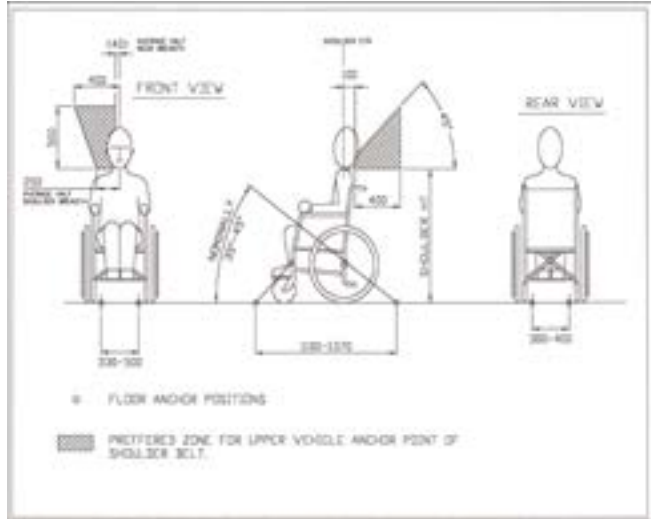


Figure 2

Fit and use

Fitting the static floor anchorage

1. Mark out the chosen floor anchor positions.
2. Drill an 11mm diameter hole through the finished floor, ply and steel flooring.
3. From the top surface of the floor, counter bore the 11mm dia. hole to a diameter of 35mm and a depth of 13mm.
4. Clear the debris and install the floor anchors as shown in Fig 3, with the anchor slot orientated as shown in Fig 4. Tighten to a torque of 25-30Nm from underneath, using the nut and underfloor spreader plate.
5. If you need to modify the spreader plate to clear an obstruction, always leave as much material as possible around the bolt hole. Any modification must be made such that the original load spreading properties are retained. Further reinforcement may be required to meet minimum vehicle strength recommendations. Contact the vehicle manufacturer for further advice.
6. **Note:** It may be necessary to provide fillers between the vehicle floor convolutions to prevent these from being crushed when tightening up on the nut/cap screw.
7. It is recommended that some type of body sealant or foam fill be used between the under floor spreader plate and the vehicle under side to prevent ingress of water and subsequent damage.



It is essential that the slot in each floor anchor is orientated as shown in Fig. 4

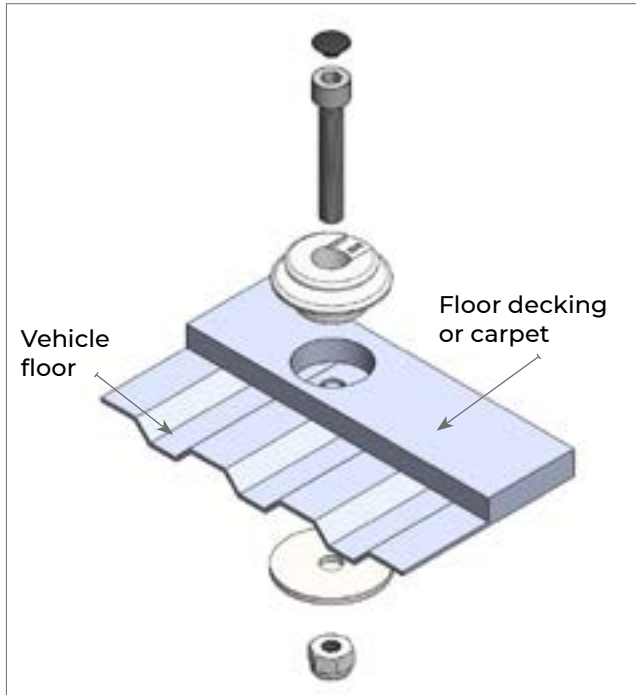


Figure 3

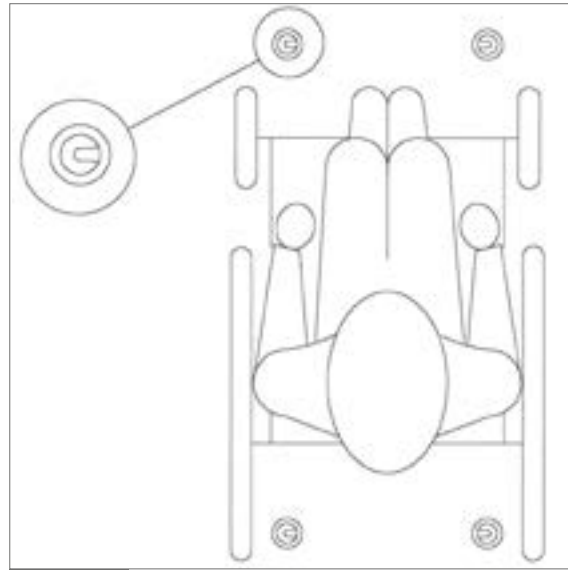


Figure 4

After care

Equipment storage and maintenance

Solo floor anchors are made from stainless steel and therefore only require a periodic brush to remove debris from the slot and mating surfaces

Warranty

BraunAbility products are extensively tested using BraunAbility anchorage systems, and our full warranty normally only applies to BraunAbility equipment when used with BraunAbility branded anchorages or as instructed.

BraunAbility have also participated in test programs with other manufacturers anchorage products and will support warranty on the BraunAbility products when used in conjunction with such jointly tested systems.

For further details on specific applications please contact the Sales Office. In other situations, using BraunAbility products, for which BraunAbility has not participated in a joint test program, a limited BraunAbility warranty will apply.

Declaration of conformity

Manufacturer /

BraunAbility UK Ltd
Unwin House
The Horseshoe Coat Road
Martock, Somerset, TA12 6EY
UK

Phone: +44 1935 827740
E-mail: info@braunability.eu
www.braunability.eu

Declares that the products /

S10

Conforms to following directives standards and regulations /

2007/46/EC
214/2014/EU Paragraphs 2.3.1 and 2.3.2.
R.14.07

BraunAbility, Martock, 14th June 2019



Rob Butcher
Director of Engineering



Accredited by URS as testing laboratory in accordance with ISO/IEC 17025:2005
Quality system certified in accordance with ISO 9001:2008

Illustrations, descriptions and specifications in the user manual are based on current product information.
BraunAbility UK Ltd reserves the right to make alterations without previous notice.

© 2019 BraunAbility UK Ltd

BraunAbility UK Ltd
Unwin House
The Horseshoe, Coat Road
Martock, Somerset, TA12 6EY
UK

Phone: +44 1935 827 740
E-mail: info@braunability.eu
www.braunability.eu