

Turny Manual

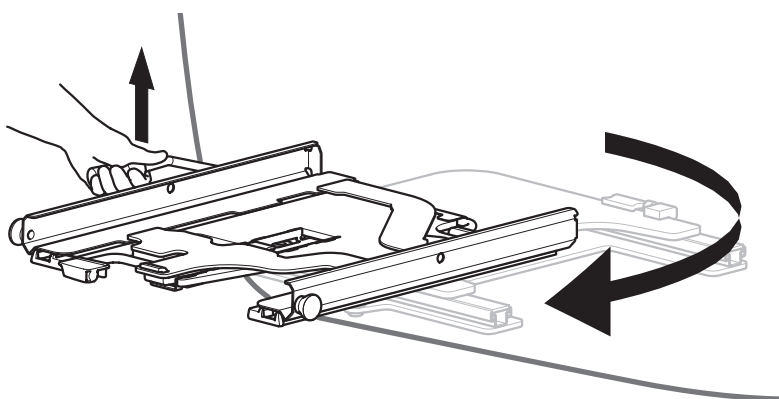
User instruction

EN

Applies to all Turny Manual models. Illustrated: Turny Manual for Carony 16".

Rotate out or in

Lift the swivel release lever and manually rotate the Turny by holding on to Turny or the seat. Do not rotate by pulling on the lever. When the maximum rotation has been reached the release lever will snap down and lock further rotation.

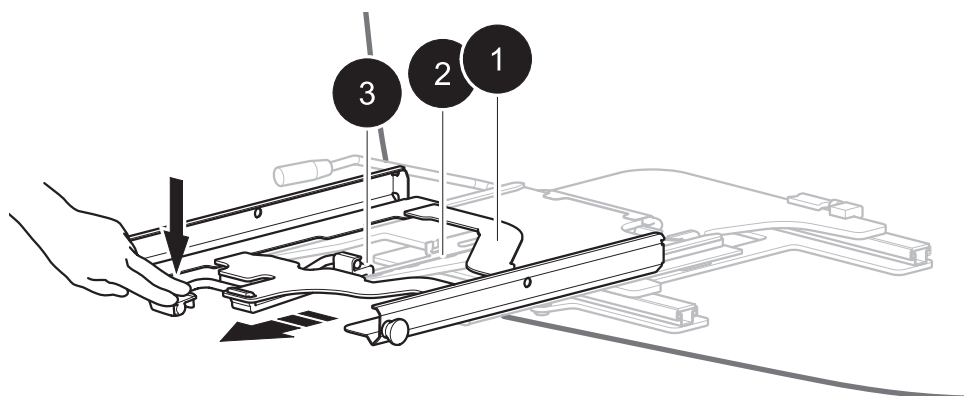


Lengthwise adjustment

Press down on the lengthwise adjustment release lever and manually adjust the position by holding on to Turny or seat. Do not adjust by pulling on the lever. When one of the three positions has been reached the release lever will snap down and lock further lengthwise adjustment.



Do not use position 3 when riding in the vehicle. It is not crash test approved and only intended for the docking operation. Position 1 and 2 are crash test approved.



427205-2, 2019/04

Care instructions

As necessary.....	Carefully vacuum clean Turny Manual. Use no liquids.
Once a year	Contact your installer for servicing information.

- Always contact your dealer for disassembly.



Any maintenance, modifications or repairs to the Turny Manual may only be performed by a qualified installation technician.

Product data

Swivel range..... 0-97°
 Extension..... -80 to +160 mm
 Weigth capacity..... 120 kg

Troubleshooter

The swivel end positions does not lock properly	Make sure nothing is in the way of Turny Manual movement. Try again. Contact your installer if the problem remains.
---	--